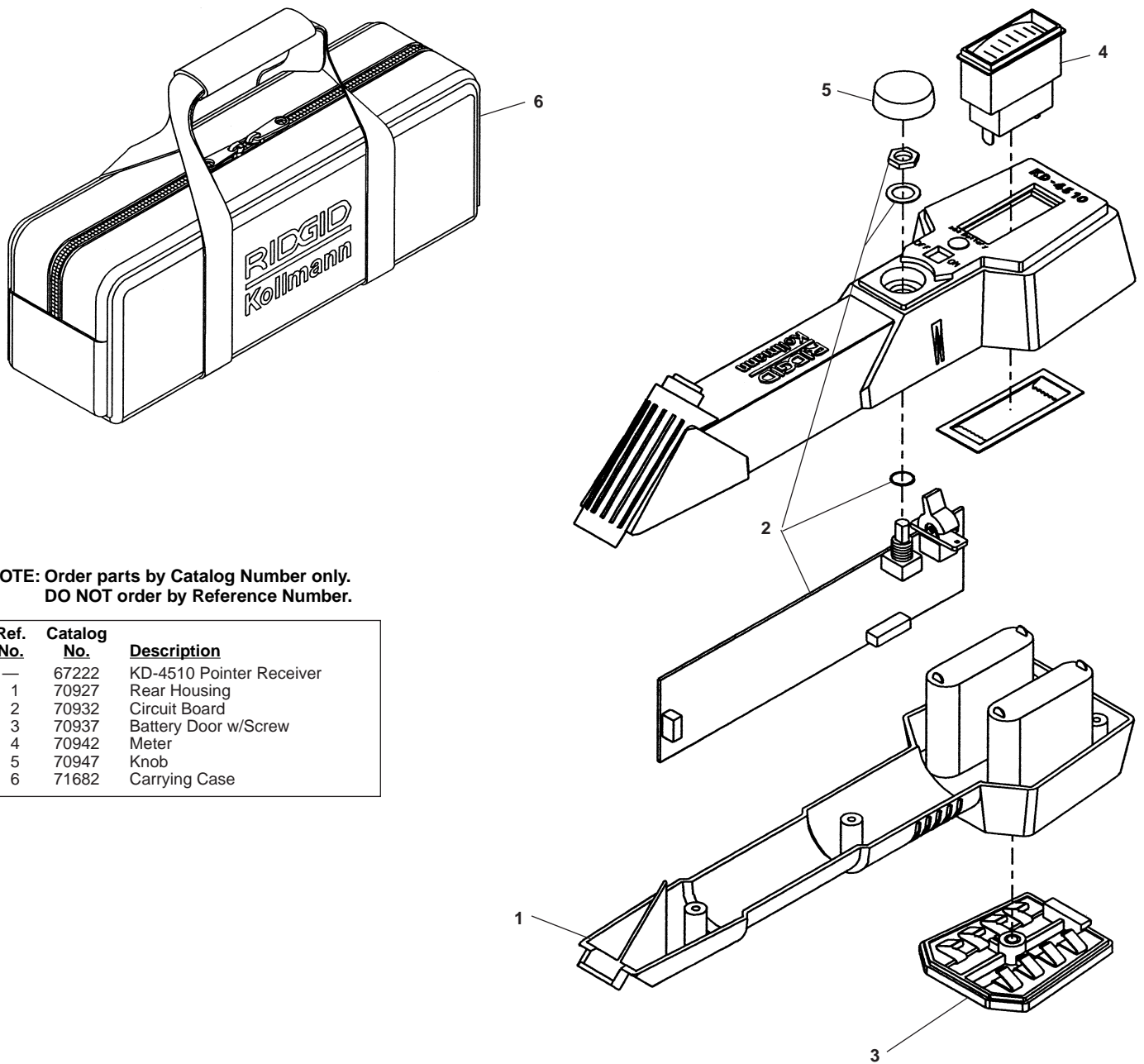


**Pointer Receiver**



**NOTE: Order parts by Catalog Number only.  
DO NOT order by Reference Number.**

Ref. No.	Catalog No.	Description
—	67222	KD-4510 Pointer Receiver
1	70927	Rear Housing
2	70932	Circuit Board
3	70937	Battery Door w/Screw
4	70942	Meter
5	70947	Knob
6	71682	Carrying Case

Ref. No.	Catalog No.	Description
—	67227	Remote Transmitter
1	70957	Sonde Cap

